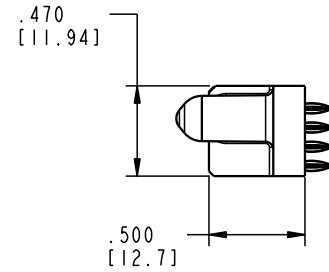
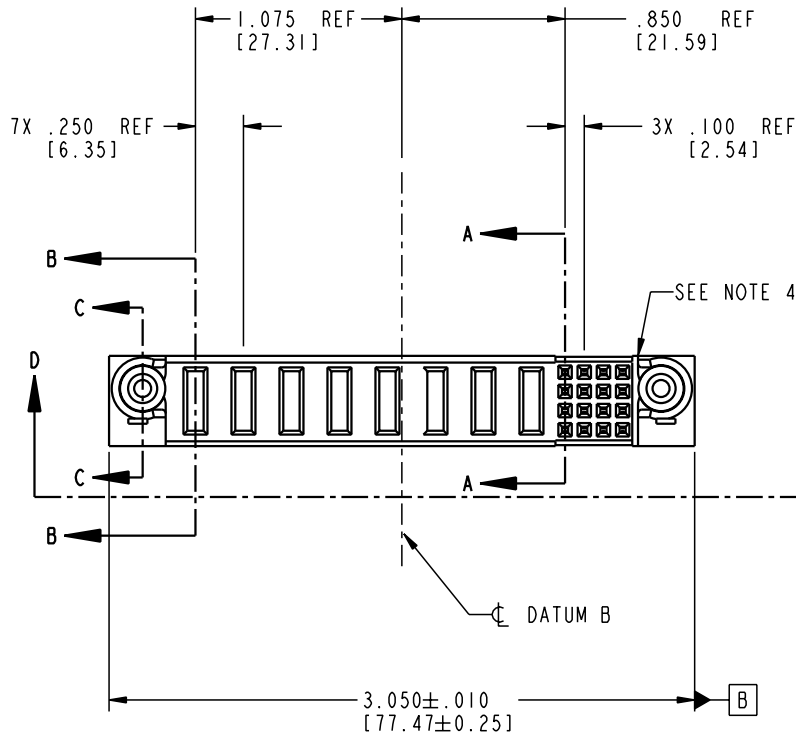


Tous droits strictement réservés. Reproduction ou communication o des liers interdite sous quelque forme que ce soit sans autorisation écrite du propriétaire. Propriete de c FCI. Droits de reproduction FCI.

All rights strictly reserved. Reproduction or issue to third parties in any form whenever is not permitted without written authority from the proprietor. Property of FCI. Copyright FCI.



PRODUCT NO.	ROWS	POWER									SIGNAL					
		E2	P8	P7	P6	P5	P4	P3	P2	P1	4	3	2	1	E1	
51741-10001608CC	D C B A		PC	PC	PC	PC	PC	PC	PC	PC	PC	F	F	F	F	



CODE	DIM "M" MATING LENGTH	CONTACT TYPE
F	N/A [N/A]	SIGNAL
PC	.042 [1.07]	POWER

mat'l code				SEE NOTE 2		tolerances unless otherwise specified		CUSTOMER		<b>ELECTRONICS</b> www.fciconnect.com	
ltr	ecn no.	dr	date	linear	.XX±.01/0.X±0.3		COPY		title 16S + 8P VERT. PRESSFIT RECEPTACLE		
A	V20243	DAI	01/31/02		.XXX±.005/0.XX±0.13		projection				
					.XXX±.0020/0.XXX±0.051		INCH/MM		product family		code
					angles 0° ± 2°		scale		PwrBlade		213
				dr	D. INGRAM	01/31/02	1:1		size		sheet
				engr	M. MOSTOLLER	01/31/02			dwg no		1 of 4
				chr	M. MOSTOLLER	01/31/02			A		
				appd	M. MOSTOLLER	01/31/02			51741-10001608CC		
sheet index	revision sheet	A	A	A	A						
		1	2	3	4						

Pro/E

cage code 22526

PDM: Rev:A

STATUS: Released

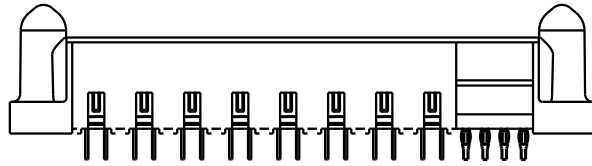
Printed: Aug 14, 2007

Tous droits strictement reserves. Reproduction ou communication a des tiers interdite sous quelque forme que ce soit sans autorisation écrite du propriétaire. Propriete de c FCI. Droits de reproduction FCI.

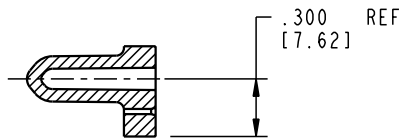


All rights strictly reserved. Reproduction or issue to third parties in any form whatever is not permitted without written authority from the proprietor. Property of FCI. Copyright FCI.

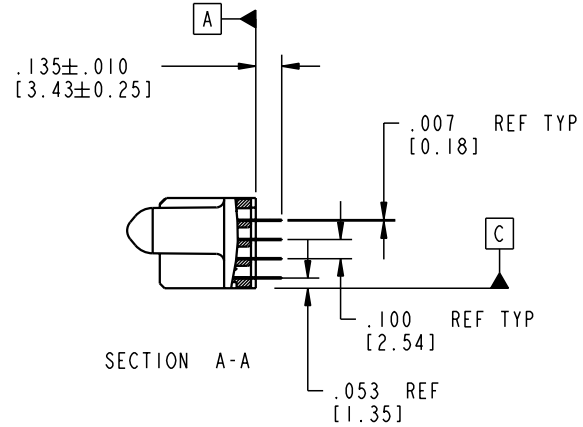
PRODUCT NUMBER  
51741-10001608CC



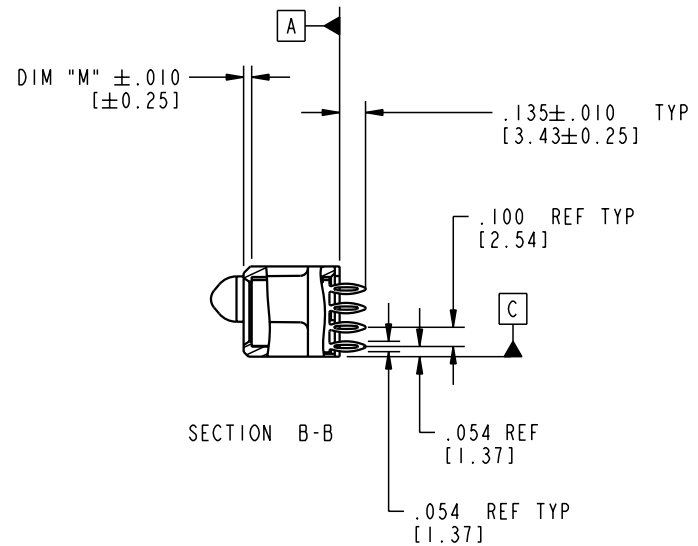
VIEW D-D



SECTION C-C



SECTION A-A



SECTION B-B

mat'l code				SEE NOTE 2		tolerances unless otherwise specified		CUSTOMER		<b>ELECTRONICS</b> www.fciconnect.com	
ltr	ecm no.	dr	date	linear	.XX±.01/0.X±0.3		COPY		title 16S + 8P VERT. PRESSFIT RECEPTACLE		
A					.XXX±.005/0.XX±0.13		INCH/MM				
					angles	.XXX±.0020/0.XXX±0.051		scale 1:1			
				dr	D. INGRAM	01/31/02	product family		PwrBlade	code	213
				enr	M. MOSTOLLER	01/31/02	size		dwg no	sheet	
				chr	M. MOSTOLLER	01/31/02	A		51741-10001608CC		2
				appd	M. MOSTOLLER	01/31/02					
sheet index	revision sheet										

cage code 22526

Pro/E

PDM: Rev:A

STATUS: Released

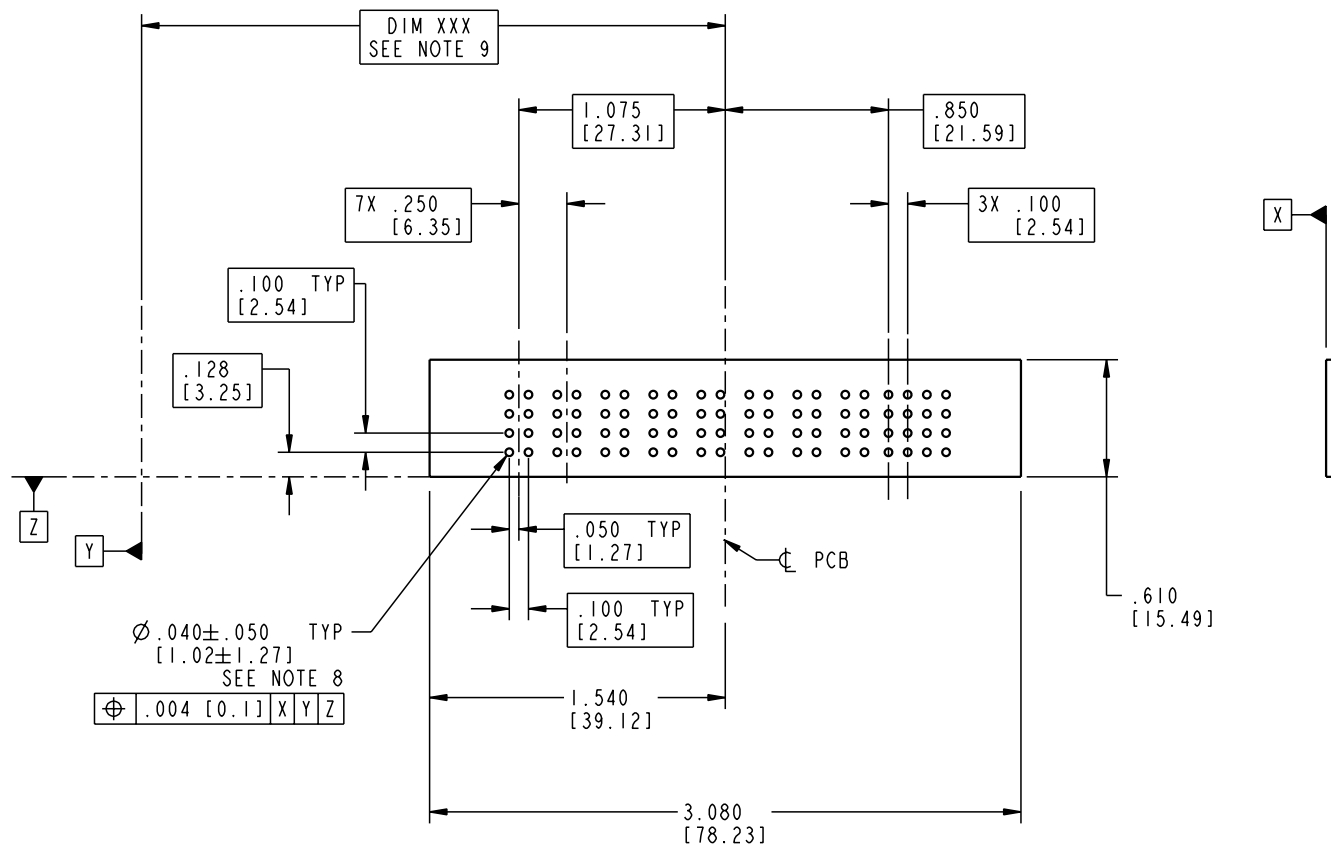
Printed: Aug 14, 2007

Tous droits strictement réservés. Reproduction ou communication o des tiers interdite sous quelque forme que ce soit sans autorisation écrite du propriétaire. Propriete de c FCI. Droits de reproduction FCI.



All rights strictly reserved. Reproduction or issue to third parties in any form whatever is not permitted without written authority from the proprietor. Property of FCI. Copyright FCI.

PRODUCT NUMBER  
51741-10001608CC



$\varnothing .040 \pm .050$  TYP  
[1.02 ± 1.27]  
SEE NOTE 8  
⊕ .004 [0.1] X Y Z

mat'l code				SEE NOTE 2		tolerances unless otherwise specified		CUSTOMER		<b>ELECTRONICS</b> www.fciconnect.com	
ltr	ecn no.	dr	date	linear	.XX±.01/0.X±0.3		COPY		title		
A					.XXX±.005/0.XX±0.13		projection		16S + 8P		
				angles	.XXX±.0020/0.XXX±0.051				VERT. PRESSFIT RECEPTACLE		
					° ± °				product family		
				dr	D. INGRAM	01/31/02	INCH/MM		PwrBlade		code
				enr	M. MOSTOLLER	01/31/02	scale		size		213
				chr	M. MOSTOLLER	01/31/02	1:1		dwg no		sheet
				appd	M. MOSTOLLER	01/31/02			A 51741-10001608CC		3
sheet index		revision sheet									

cage code 22526

Pro/E

Tous droits strictement réservés. Reproduction ou communication o des tiers interdite sous quelque forme que ce soit sans autorisation écrite du propriétaire. Propriete de c FCI. Droits de reproduction FCI.



All rights strictly reserved. Reproduction or issue to third parties in any form, whenever is not permitted without written authority from the proprietor. Property of FCI. Copyright FCI.

PRODUCT NUMBER  
51741-10001608CC

NOTES:

1. DIMENSIONS AND TOLERANCES ARE IN ACCORDANCE WITH ASME Y14.5M, 1994 UNLESS OTHERWISE SPECIFIED.

CONNECTORS NOTES:

② HOUSING MATERIAL: UL 94 V-0 GLASS FILLED HIGH TEMP THERMO PLASTIC  
POWER CONTACT MATERIAL: COPPER ALLOY  
SIGNAL PIN MATERIAL: COPPER ALLOY

3. PLATING:

SIGNAL PINS: 30u"/0.76um Au OVER 50u"/1.27um Ni  
POWER CONTACTS: 50u"/1.27um Ni UNDER ALL WITH 30u"/0.76um Au ON CONTACT AREA AND SnPb ON PCB INTERFACE

④ "MANUFACTURER" NAME, P/N, AND DATE CODE TO APPEAR ON THIS SURFACE.

5. PRODUCT SPECIFICATION GS-12-149.

PCB - NOTES:

6. ALL HOLE DIAMETERS ARE FINISHED HOLE SIZE.

⑦ HOLD DOWN THROUGH HOLES ARE UNPLATED.

⑧  $\varnothing .0453 \pm 0.0010$  [1.151  $\pm$  0.025] DRILLED HOLES PLATED WITH 0.0003 [0.008] MIN SnPb OVER .001 [0.03] TO .003 [0.08] Cu PLATING TO ACHIEVE  $\varnothing .040 \pm .003$  [1.02  $\pm$  .07] HOLE.

⑨ "DIM XXX" TO BE DETERMINED BY THE CUSTOMER.

mat'l code				SEE NOTE 2		tolerances unless otherwise specified		CUSTOMER		<b>ELECTRONICS</b> www.fciconnect.com	
ltr	ecn no.	dr	date	linear	.XX±.01/0.X±0.3		COPY			title	
A					.XXX±.005/0.XX±0.13		INCH/MM			16S + 8P	
				angles	.XXX±.0020/0.XXX±0.051				VERT. PRESSFIT RECEPTACLE		
				dr	D. INGRAM	01/31/02	product family		PwrBlade	code	
				enr	M. MOSTOLLER	01/31/02	size		dwg no	213	
				chr	M. MOSTOLLER	01/31/02	A		51741-10001608CC	sheet	
				appd	M. MOSTOLLER	01/31/02	scale		1:1	4	
sheet index	revision sheet										

cage code 22526

Pro/E

PDM: Rev:A

STATUS: Released

Printed: Aug 14, 2007